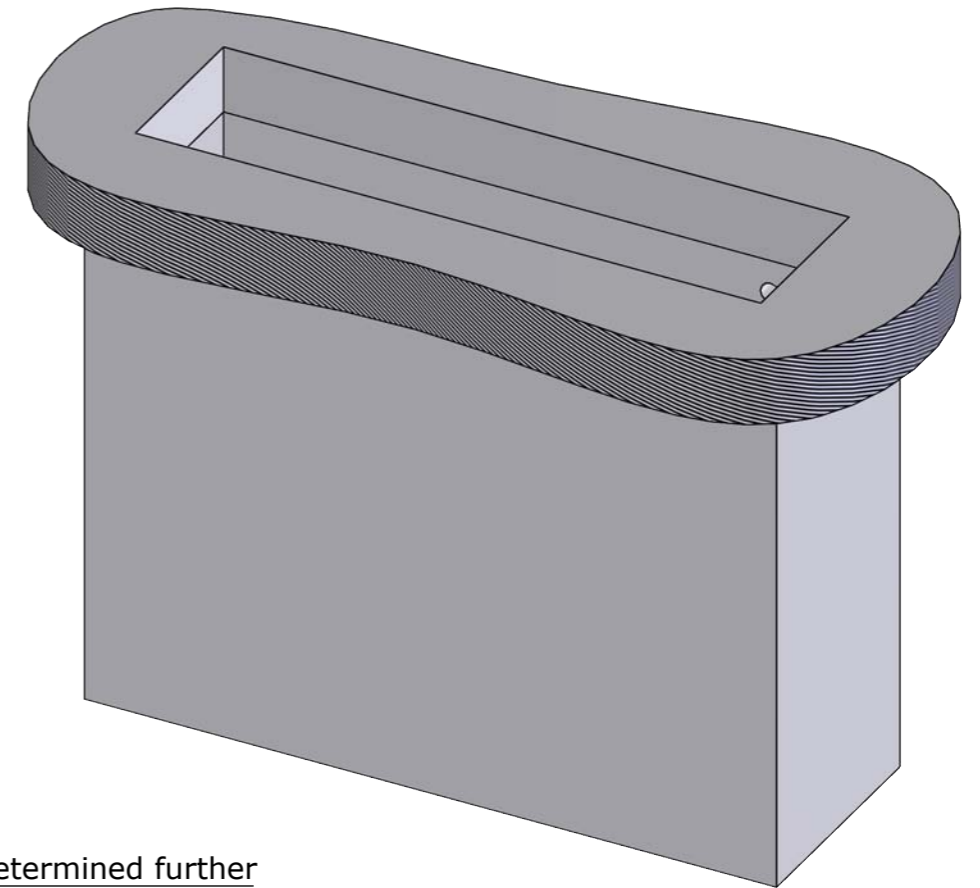
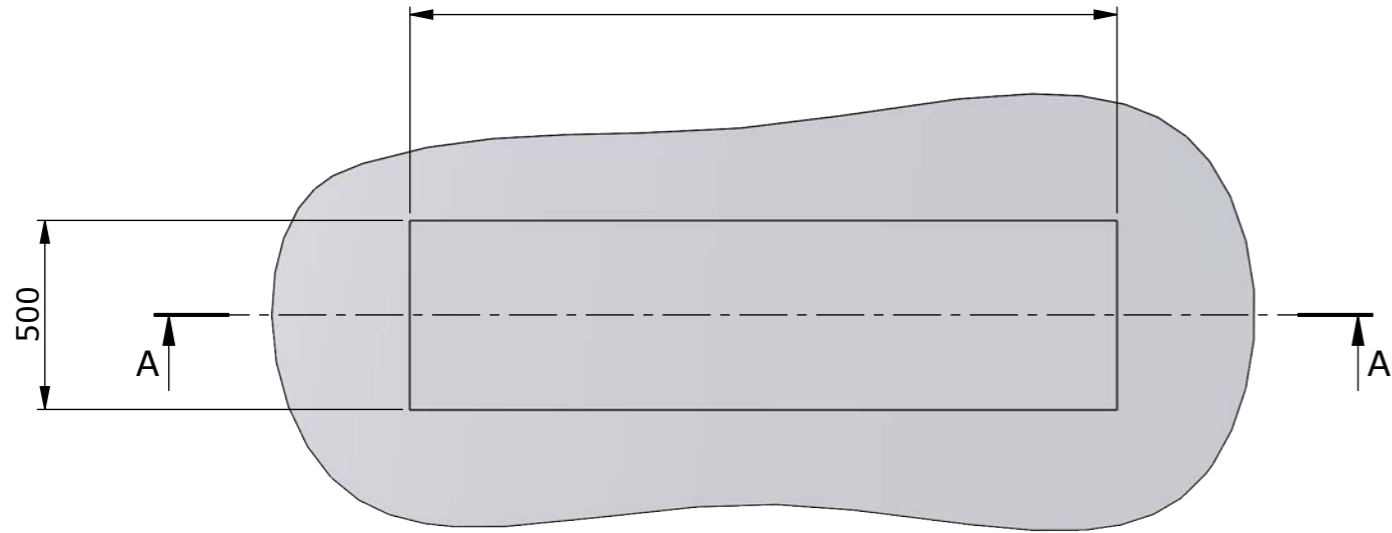
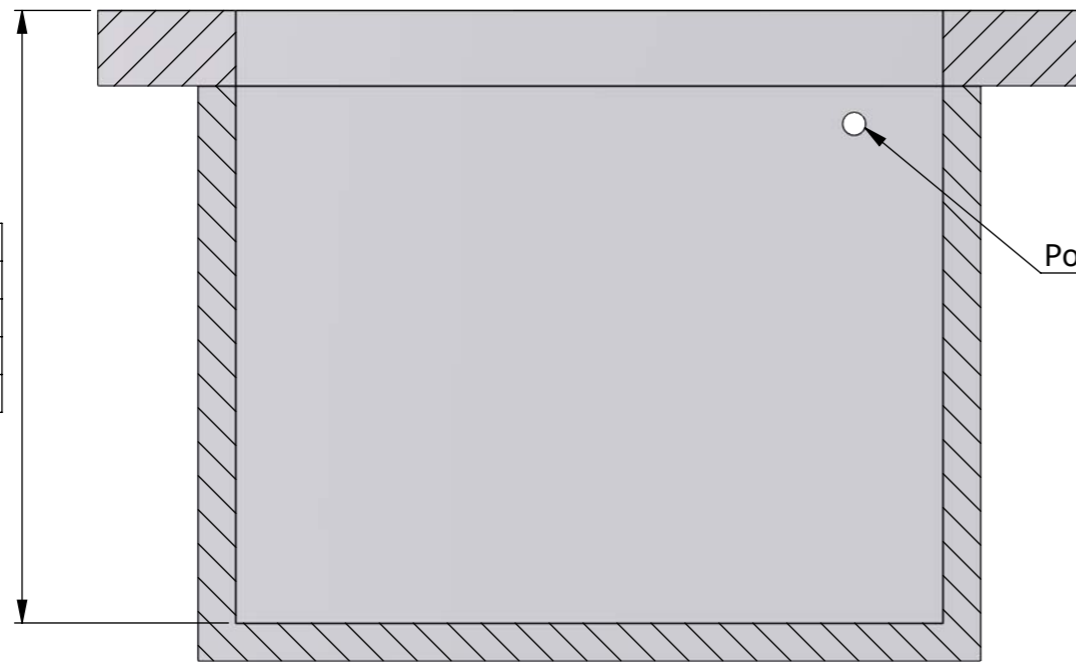


55"	1670 mm
65"	1870 mm
75"	2170 mm
85"	2270 mm
98"	2500 mm



55"	1500 mm
65"	1620 mm
75"	1750 mm
85"	1850 mm
98"	2000 mm

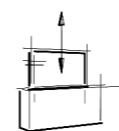


Position of cable entry to be determined further

SECTION A-A

Drawing no.: T016-1042-001A

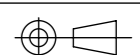
Description : Floor opening



TVLIFTBOY

Date : 09-02-2024

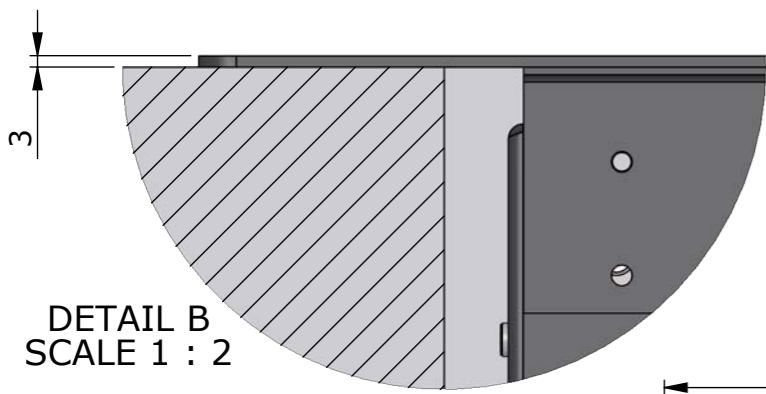
Drawn : JS



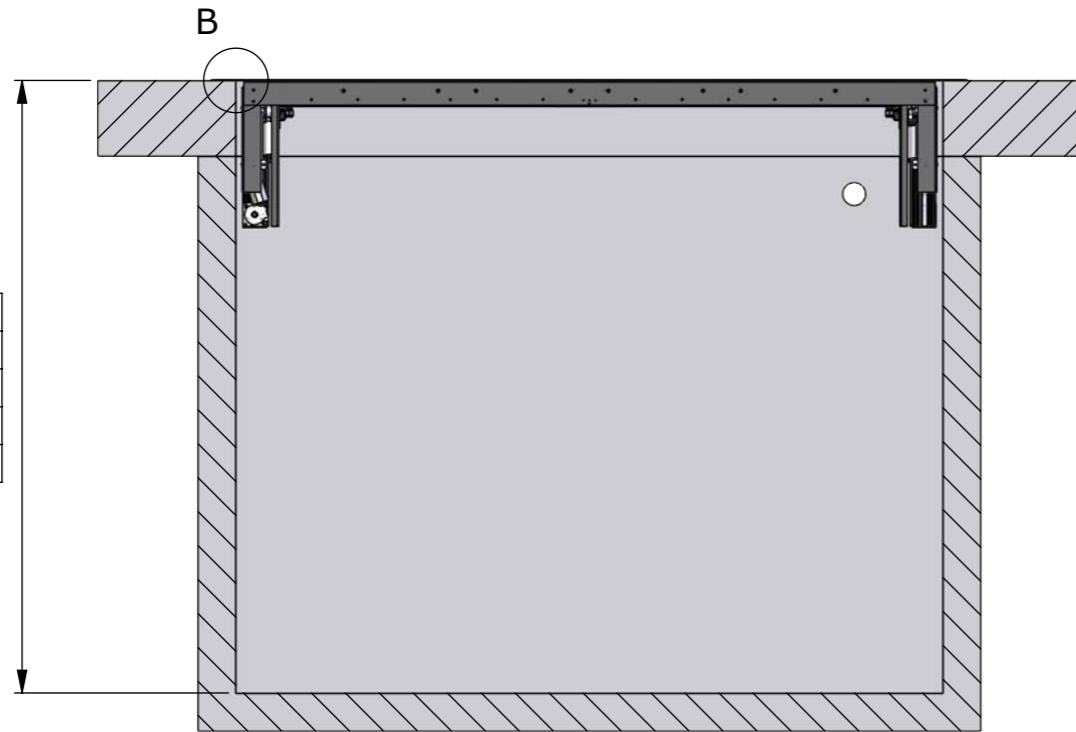
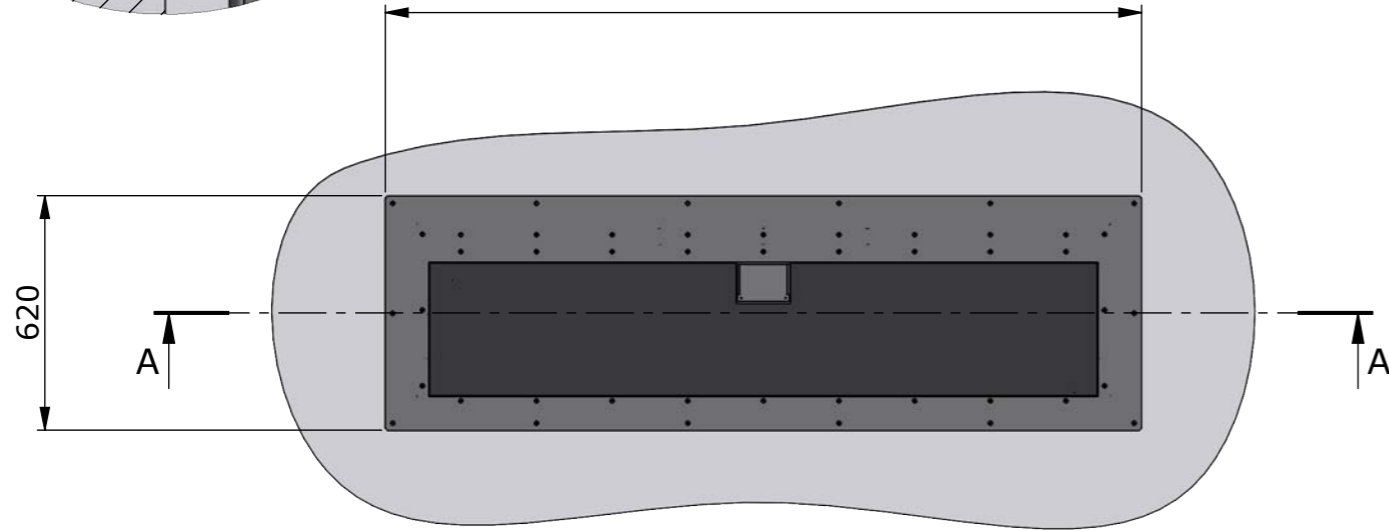
Scale : 1:20

Unless otherwise specified dimensions in millimeters

Page : 1/6

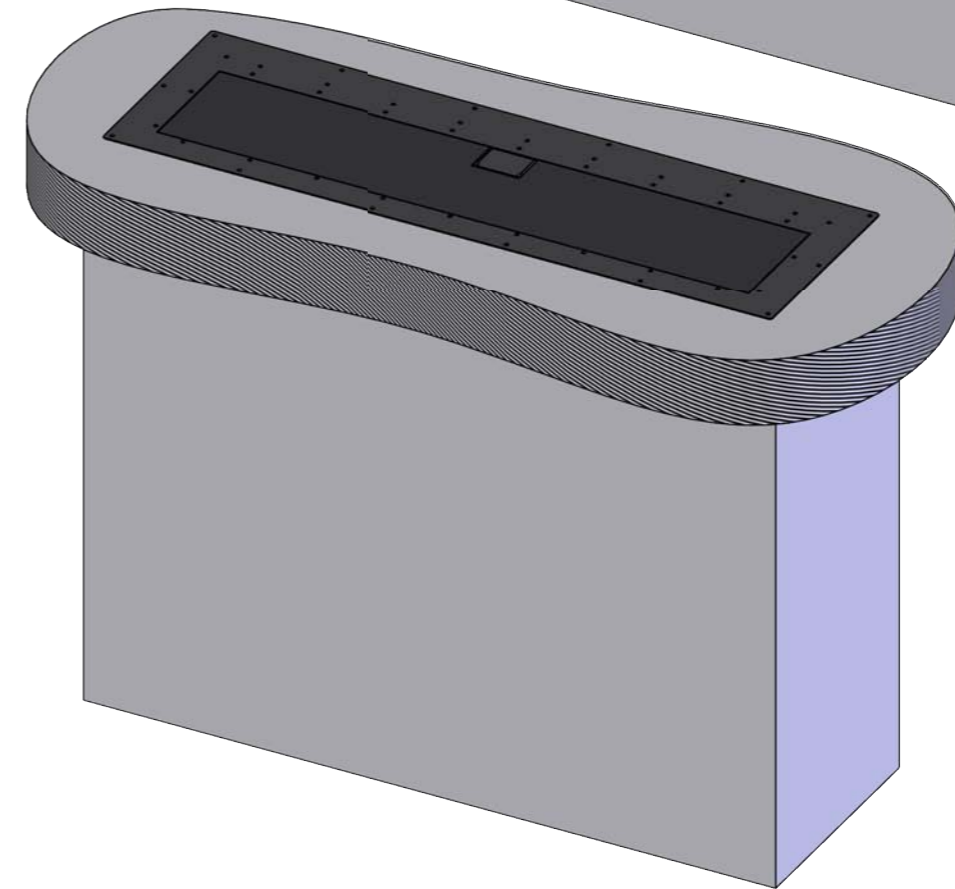
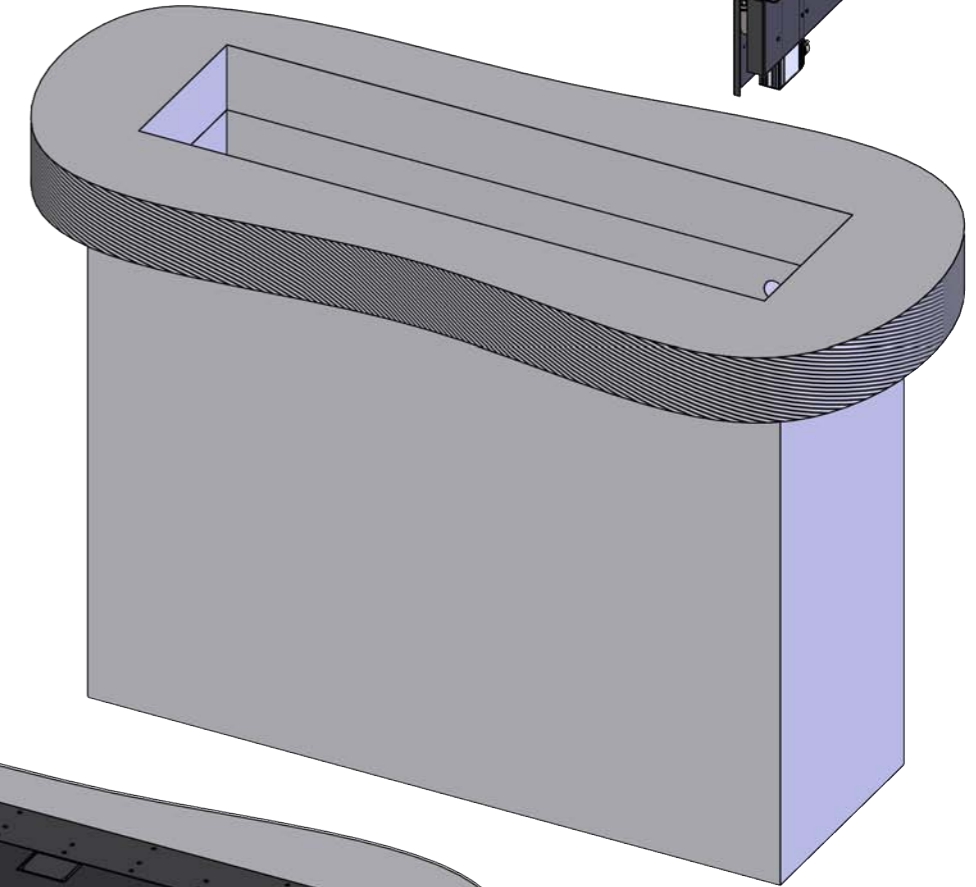
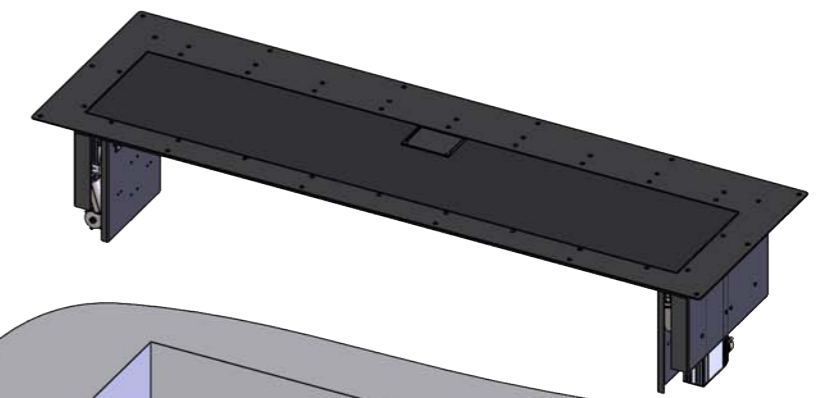


55"	1800 mm
65"	2000 mm
75"	2300 mm
85"	2400 mm
98"	2630 mm



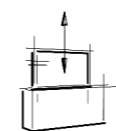
55"	1500 mm
65"	1620 mm
75"	1750 mm
85"	1850 mm
98"	2000 mm

SECTION A-A



Drawing no.: T016-1042-002A

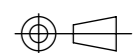
Description : Flange mounting



TVLIFTBOY

Date : 12-02-2024

Drawn : JS

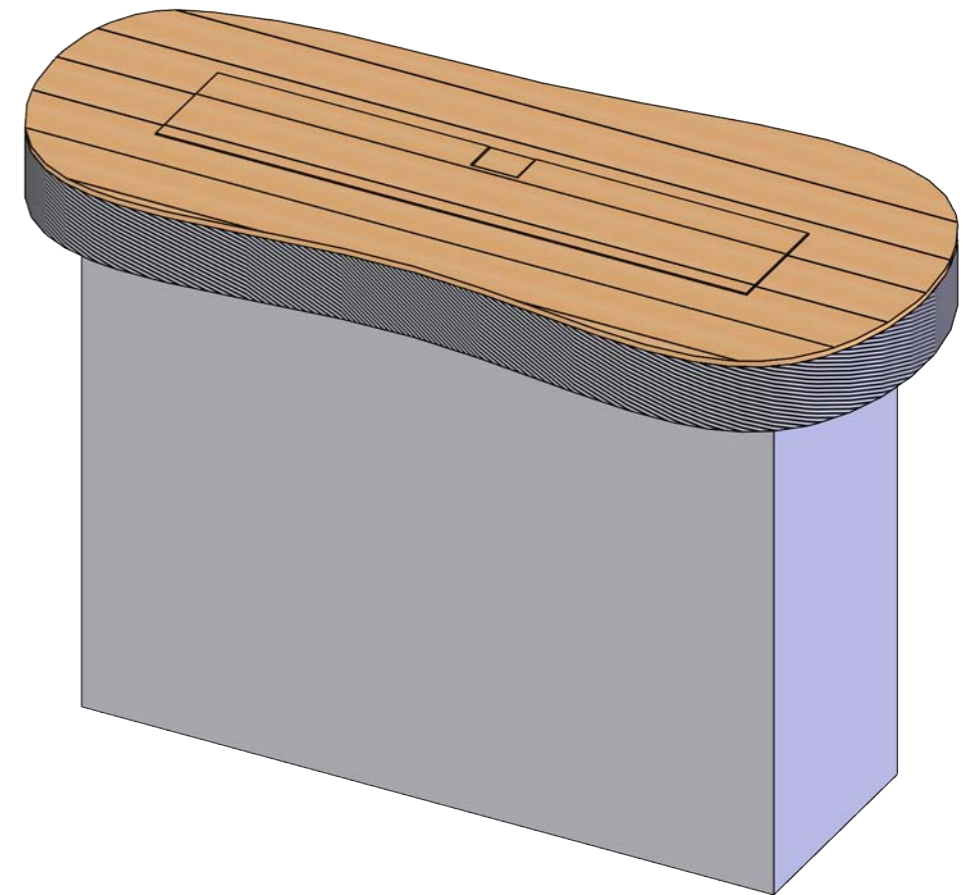
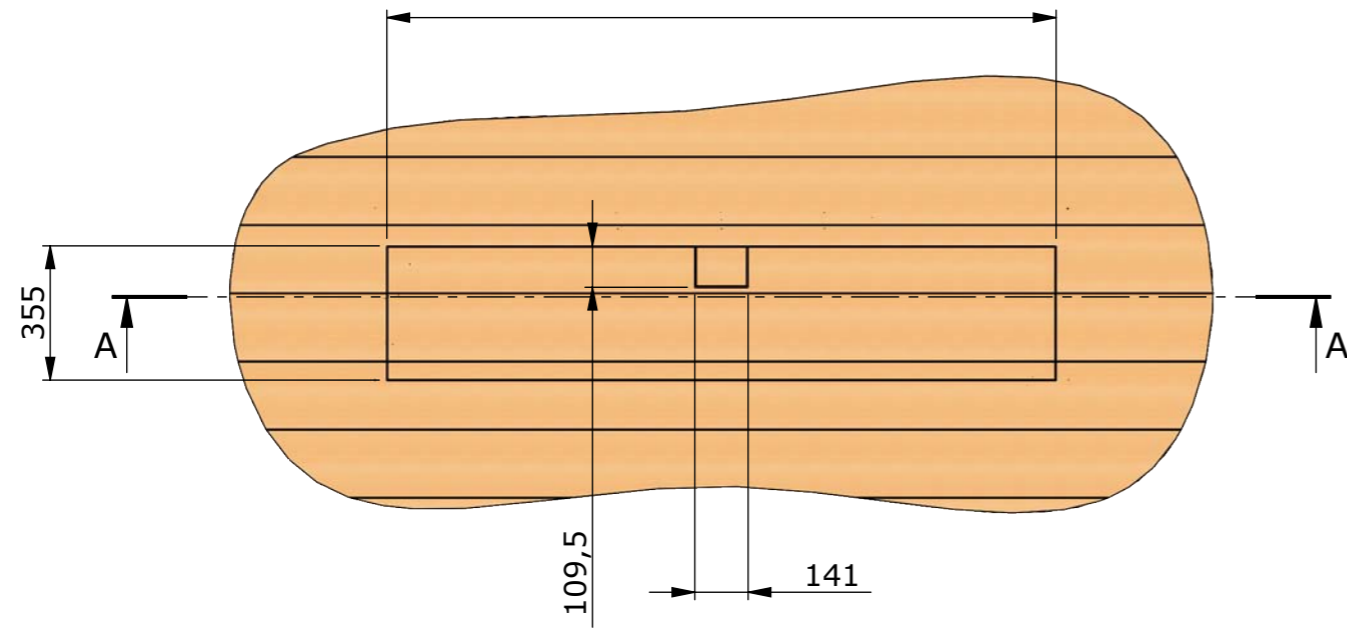


Scale : 1:20

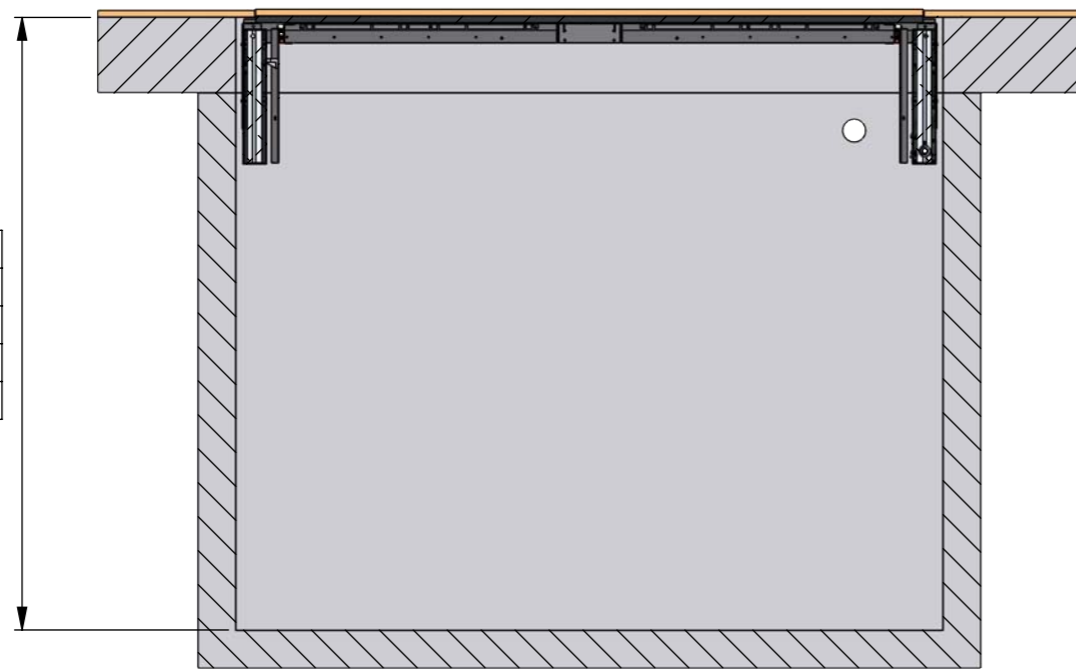
Unless otherwise specified dimensions in millimeters

Page : 2/6

55"	1570 mm
65"	1770 mm
75"	2070 mm
85"	2170 mm
98"	2400 mm



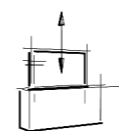
55"	1500 mm
65"	1620 mm
75"	1750 mm
85"	1850 mm
98"	2000 mm



SECTION A-A

Drawing no.: T016-1042-003A

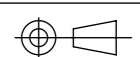
Description : Floor mounting



TVLIFTBOY

Date : 12-02-2024

Drawn : JS

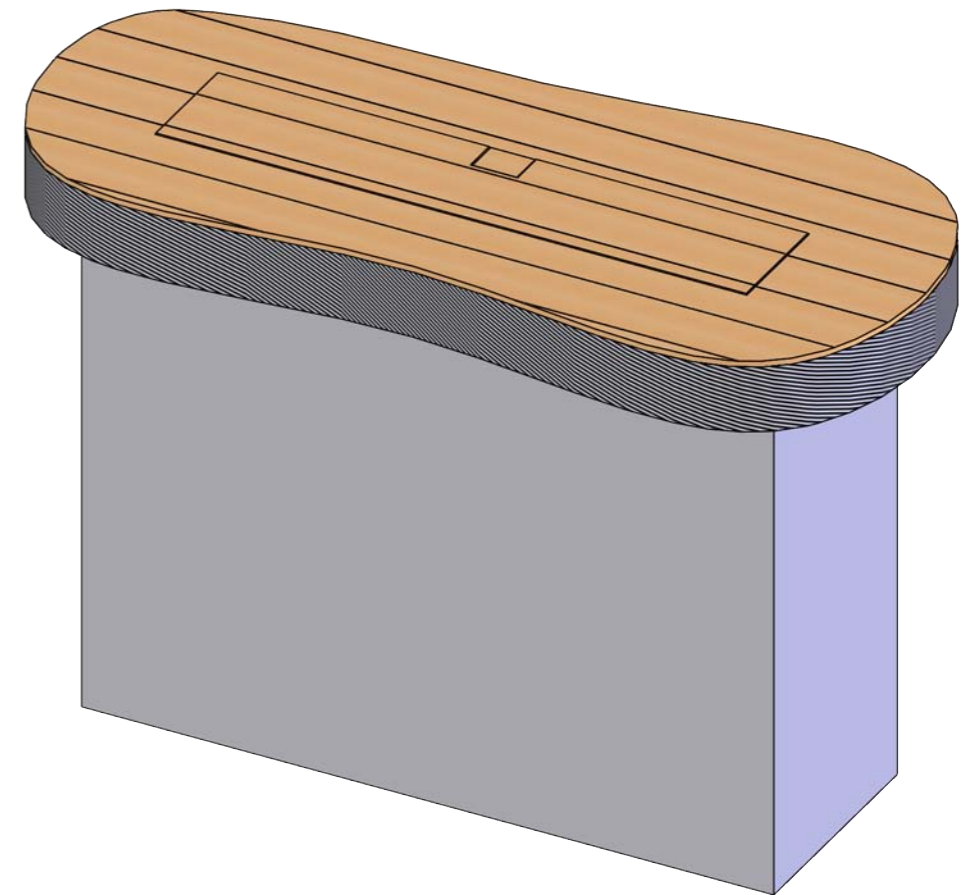
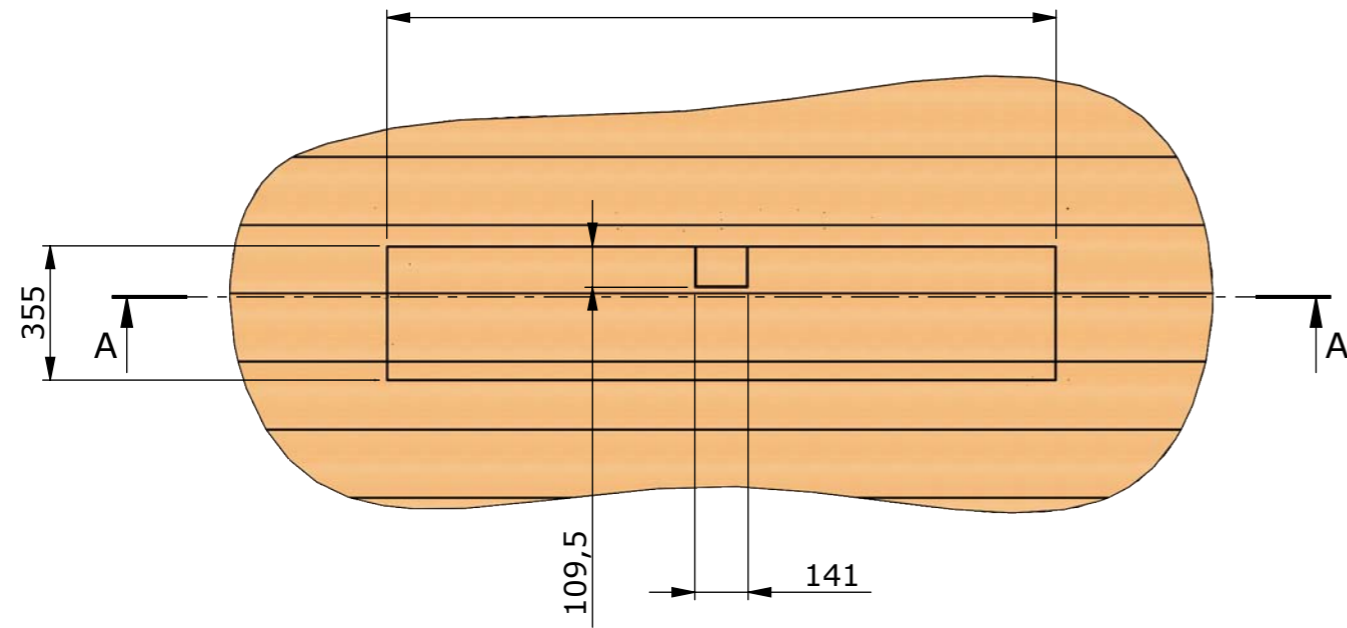


Scale : 1:20

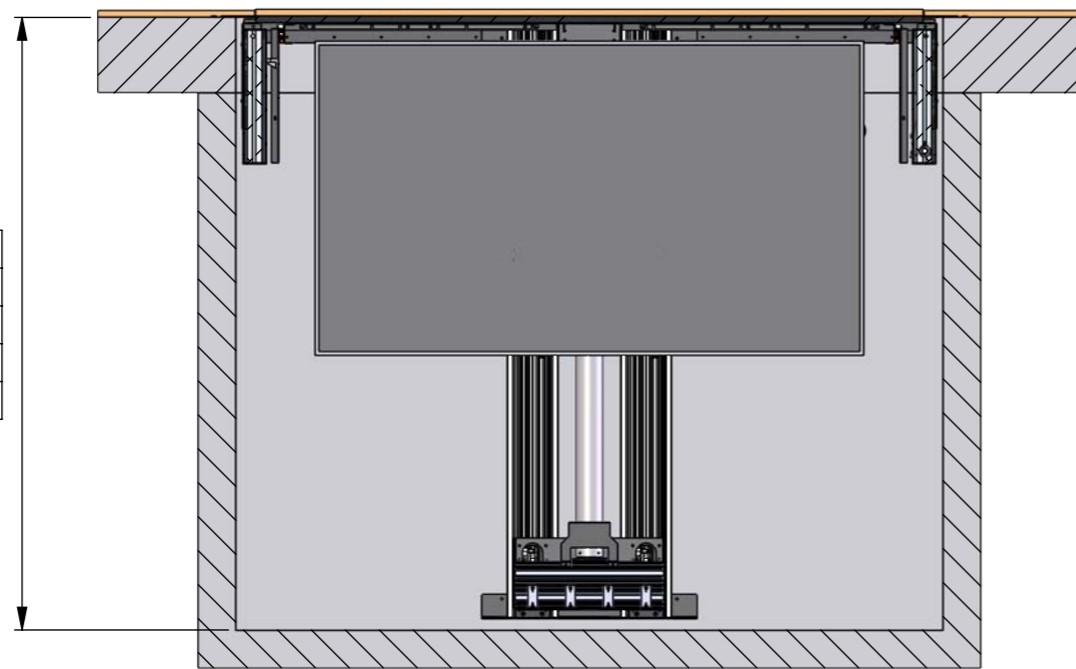
Unless otherwise specified dimensions in millimeters

Page : 3/6

55"	1570 mm
65"	1770 mm
75"	2070 mm
85"	2170 mm
98"	2400 mm



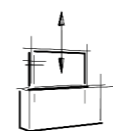
55"	1500 mm
65"	1620 mm
75"	1750 mm
85"	1850 mm
98"	2000 mm



SECTION A-A

Drawing no.: T016-1042-004A

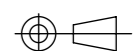
Description : Floorlift



TVLIFTBOY

Date : 12-02-2024

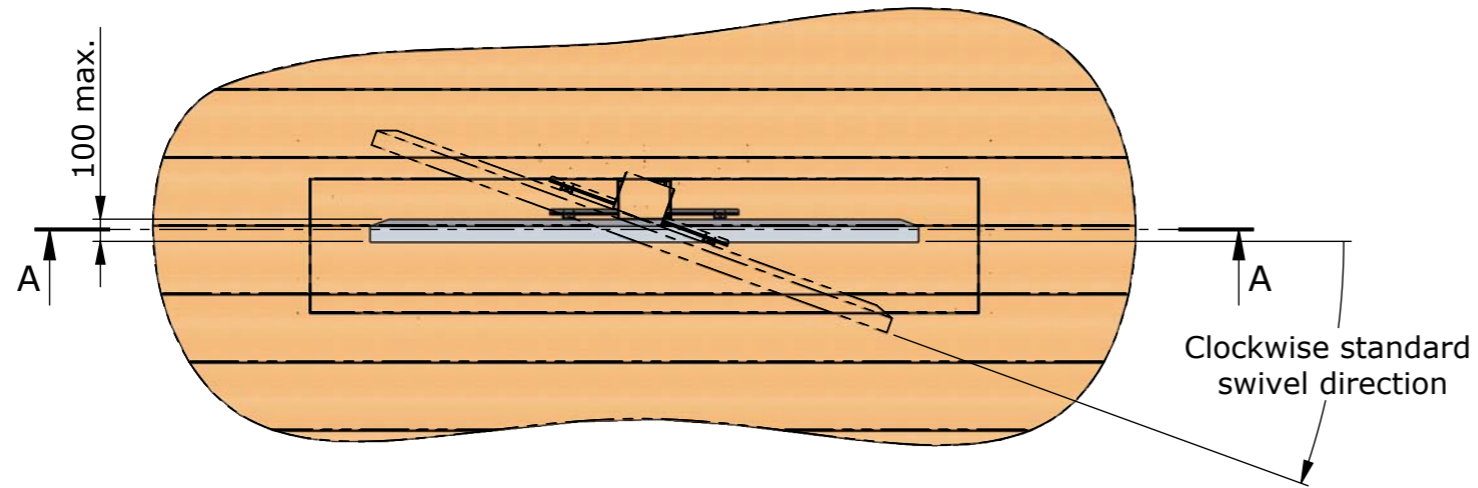
Drawn : JS



Scale : 1:20

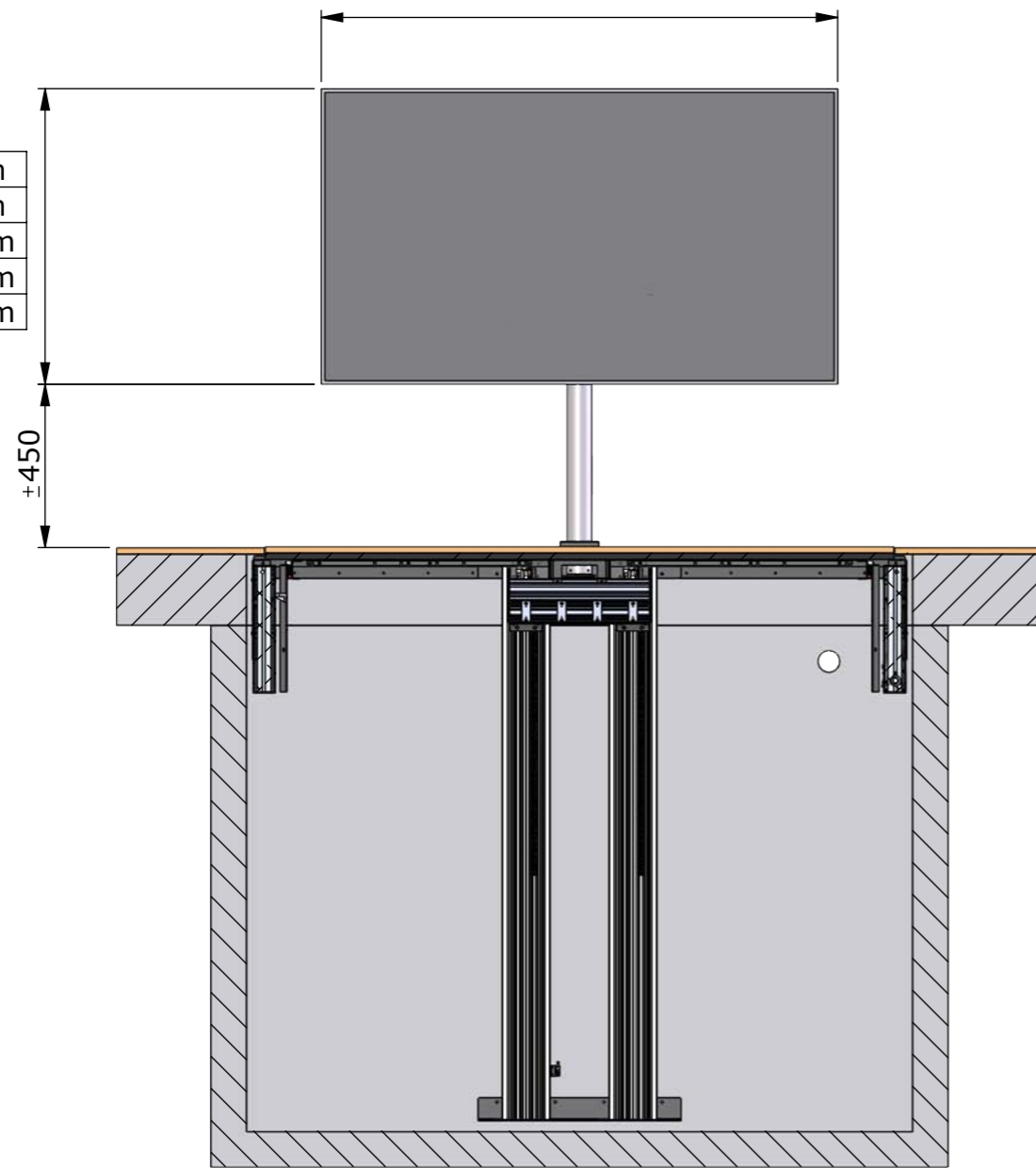
Unless otherwise specified dimensions in millimeters

Page : 4/6

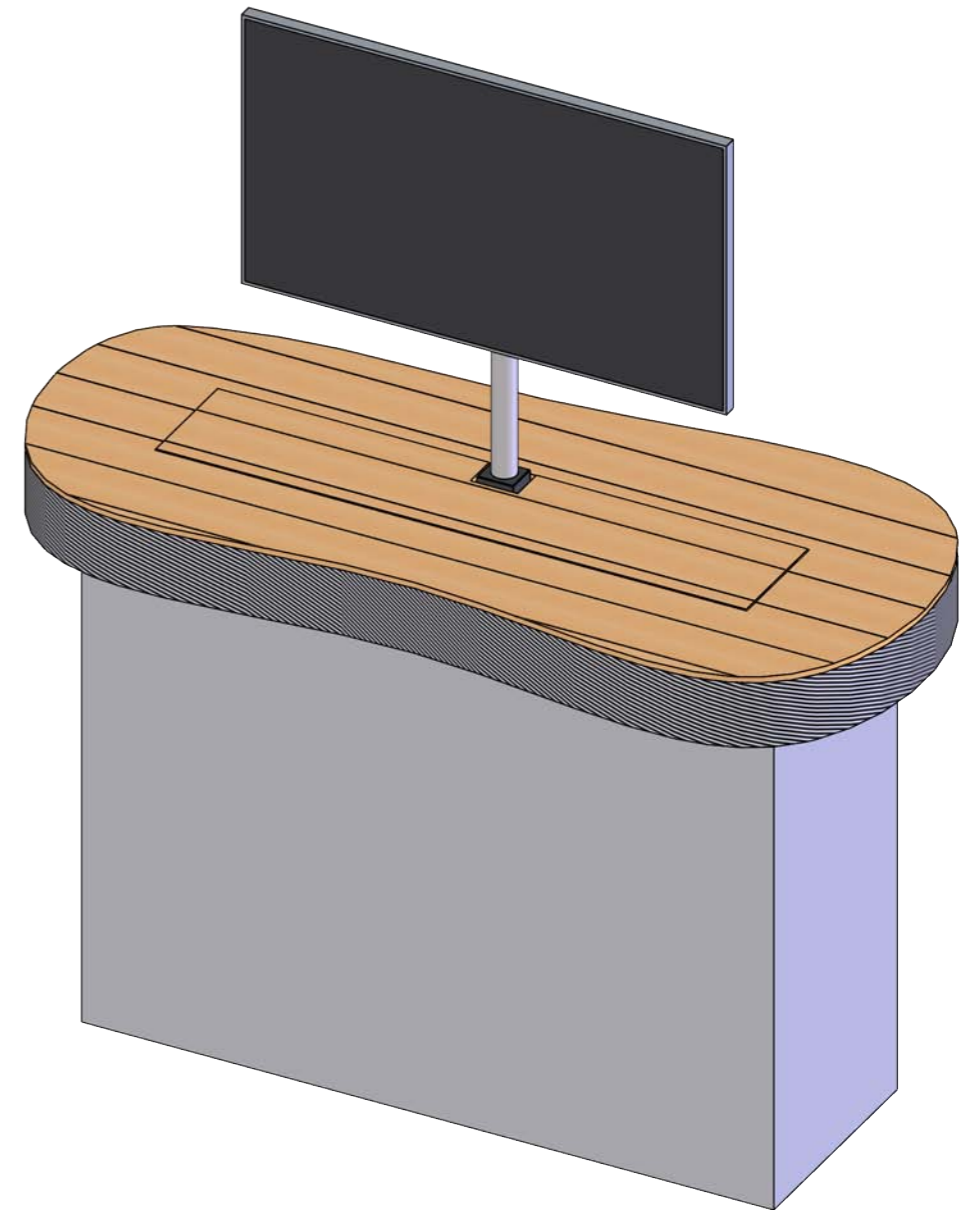


55"	1350 mm max.
65"	1550 mm max.
75"	1850 mm max.
85"	1950 mm max.
98"	2180 mm max.

55"	±750 mm
65"	±870 mm
75"	±1000 mm
85"	±1100 mm
98"	±1250 mm

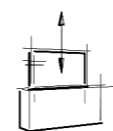


SECTION A-A



Drawing no.: T016-1042-005A

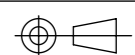
Description : Floorlift



TVLIFTBOY

Date : 12-02-2024

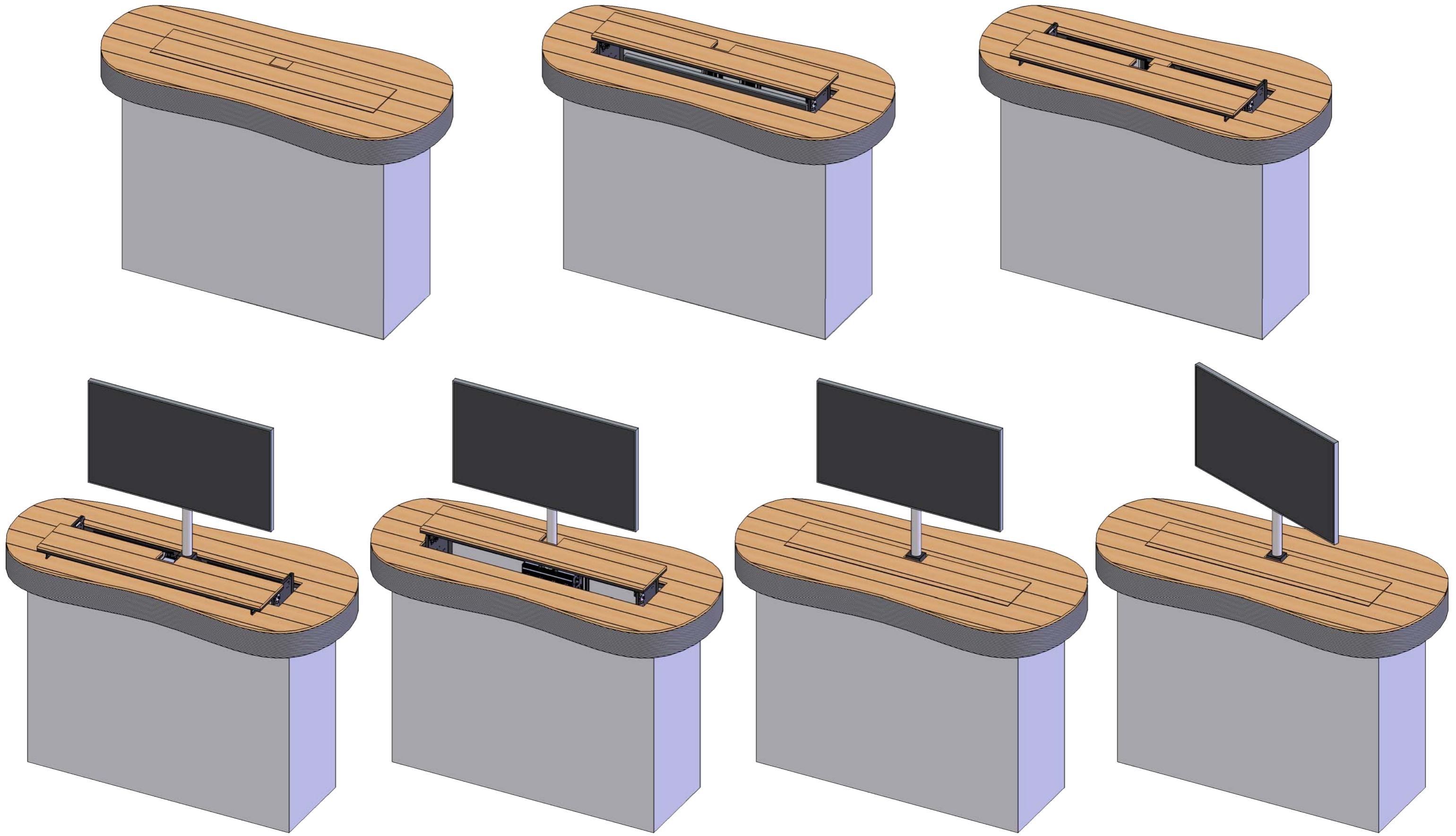
Drawn : JS




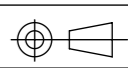
Scale : 1:20

Unless otherwise specified dimensions in millimeters

Page : 5/6



Please note that specifications may be subject to change

Drawing no.: T016-1042-006A		Description : Floorlift	
		Date : 12-02-2024	
		Drawn : JS	
Unless otherwise specified dimensions in millimeters			Page : 6/6