
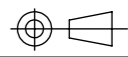
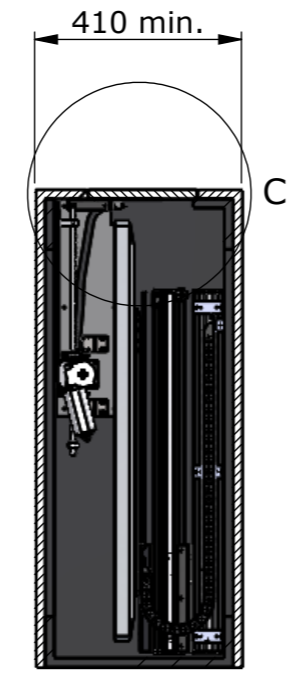
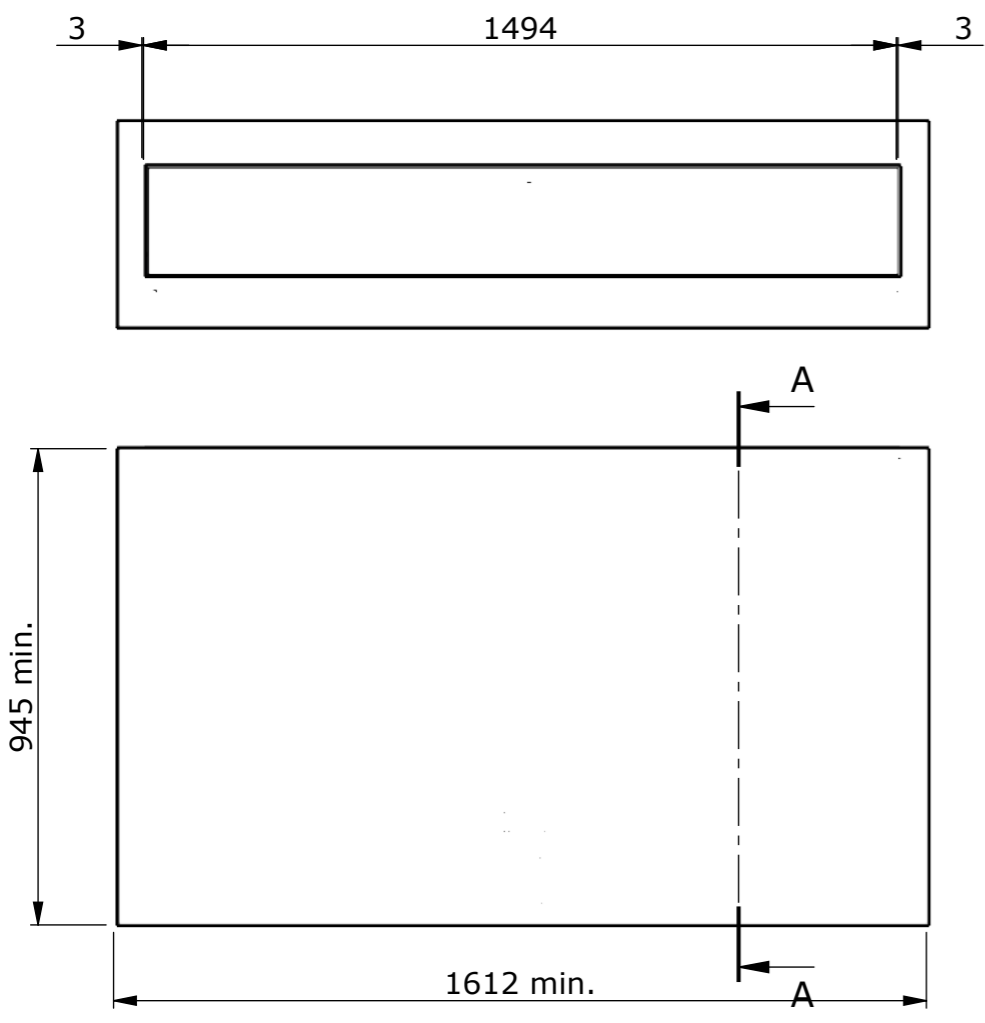
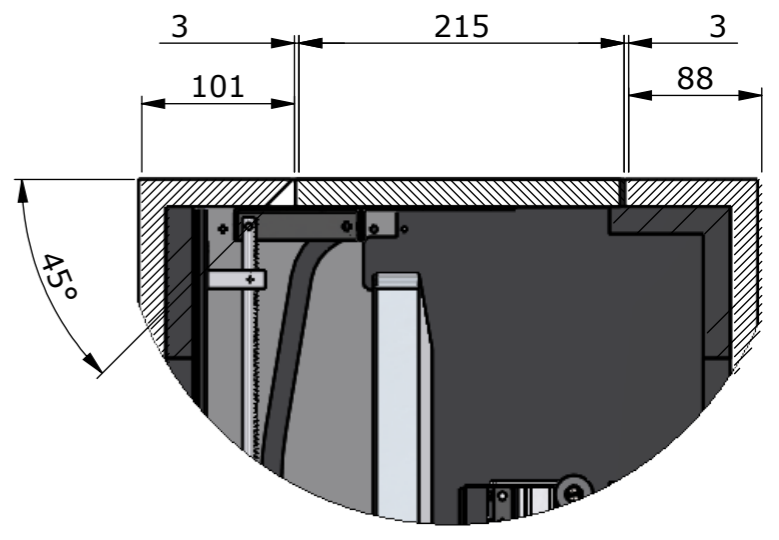
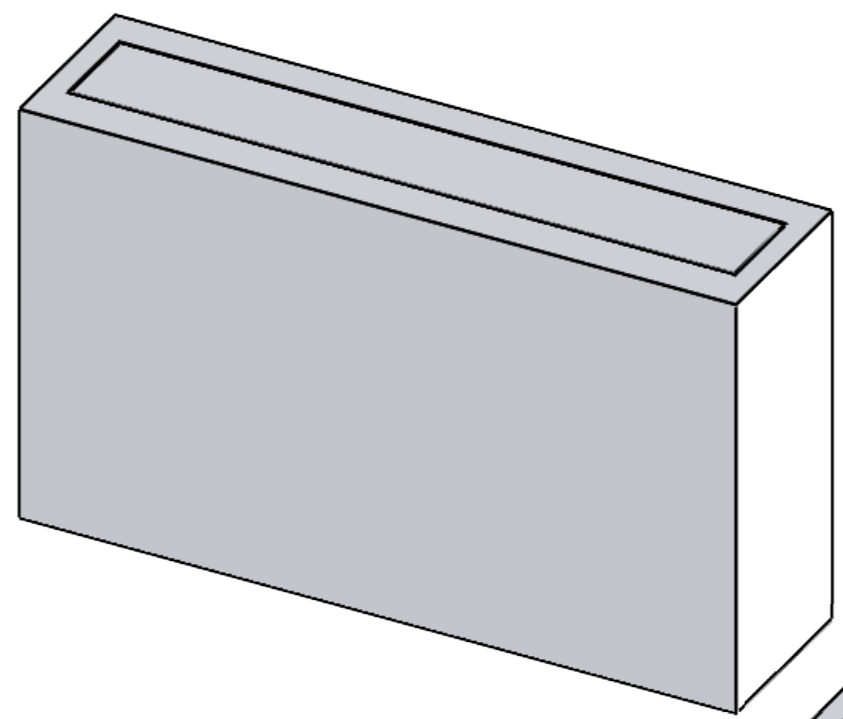
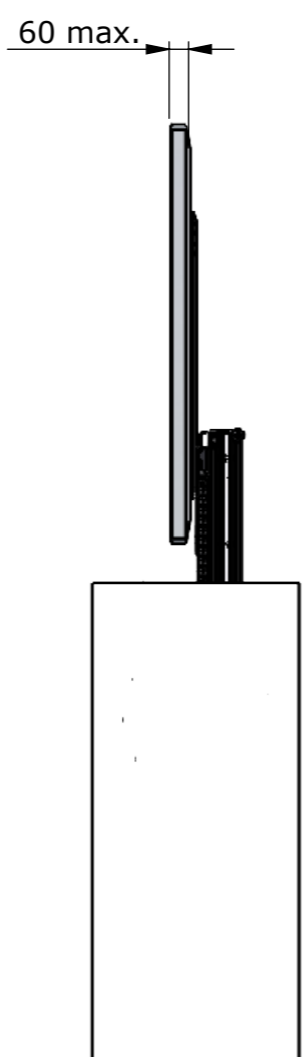
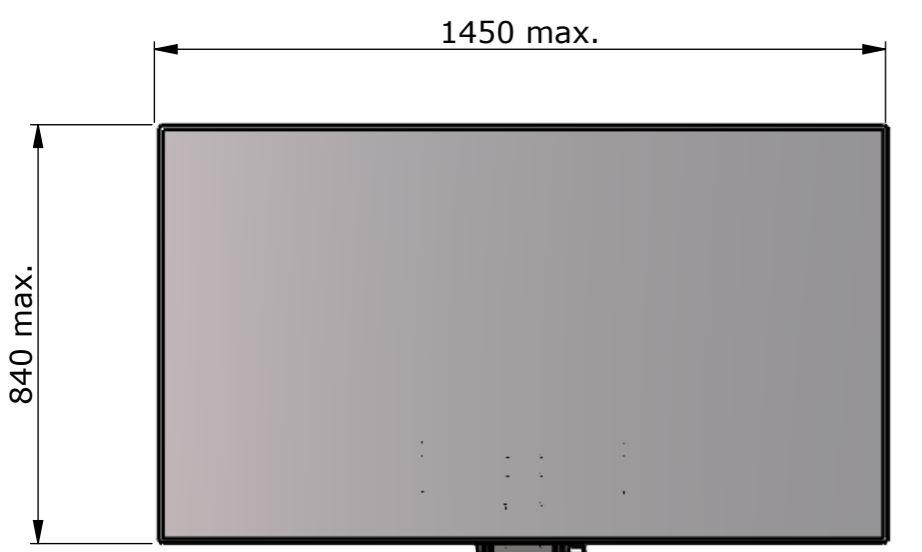


Please note that specifications may be subject to change

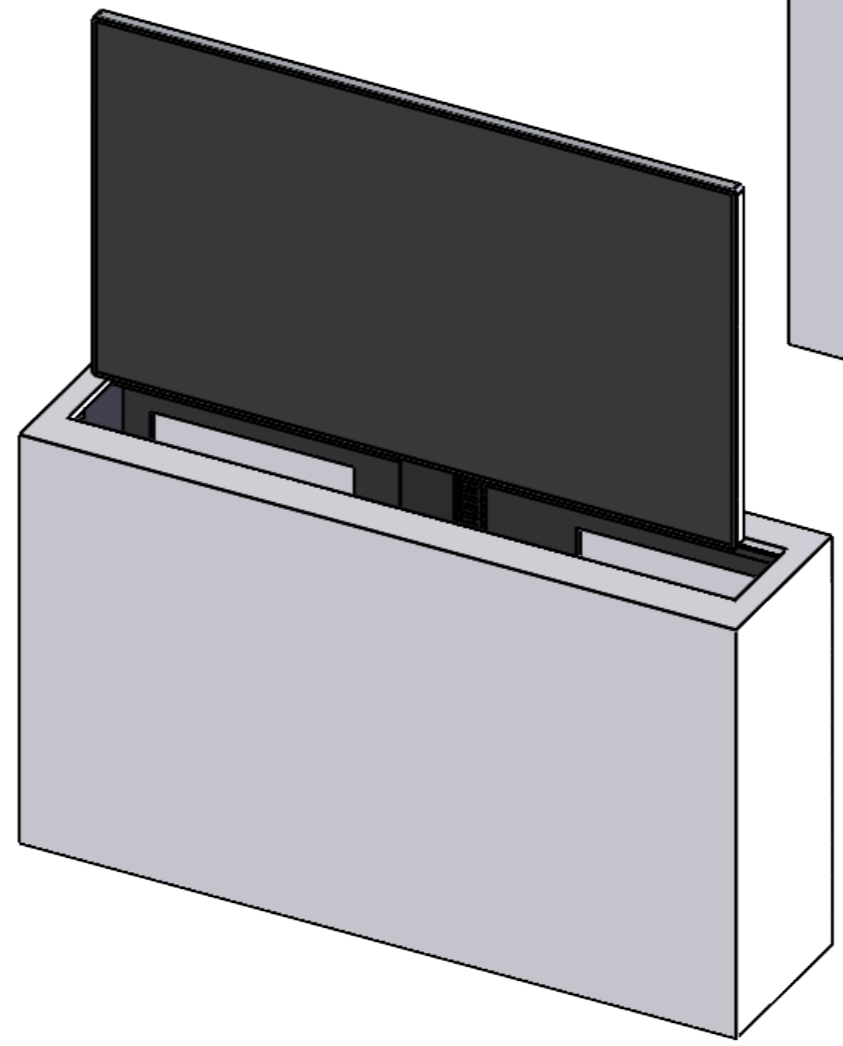
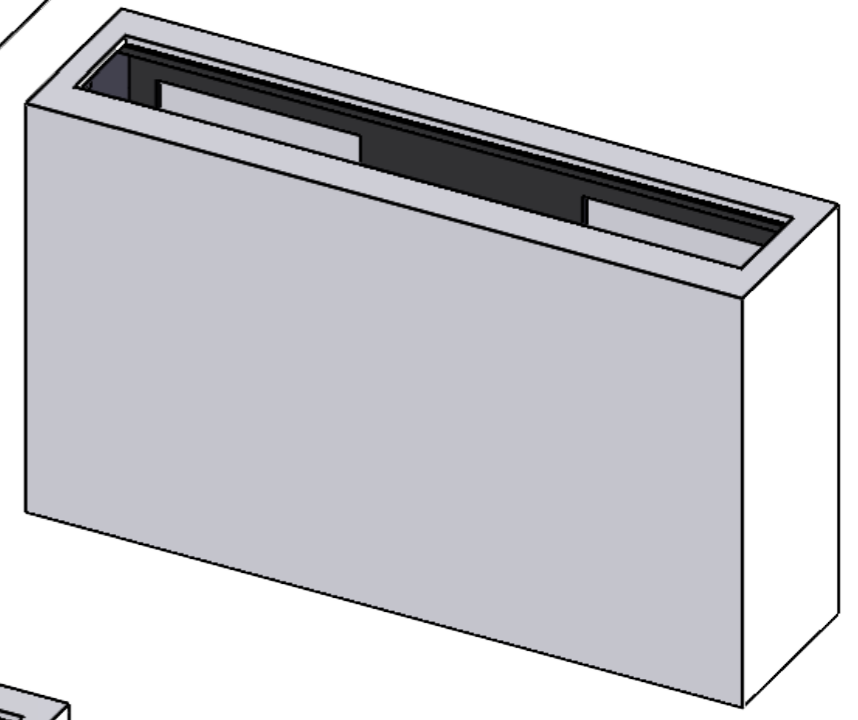
Drawing no.: T209-1000-001A		Description: T209-65	
		Date: 15-08-2023	 Scale: 1:15
		Drawn: JS	
		Unless otherwise specified dimensions in millimeters	



SECTION A-A


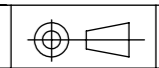


DETAIL C
SCALE 1 : 5



Example build in housing

Please note that specifications may be subject to change

Drawing no.: T209-1001-001A		Description : T209-65	
		Date : 16-08-2023	 Scale : 1:15
		Drawn : JS	
		Unless otherwise specified dimensions in millimeters	